

---

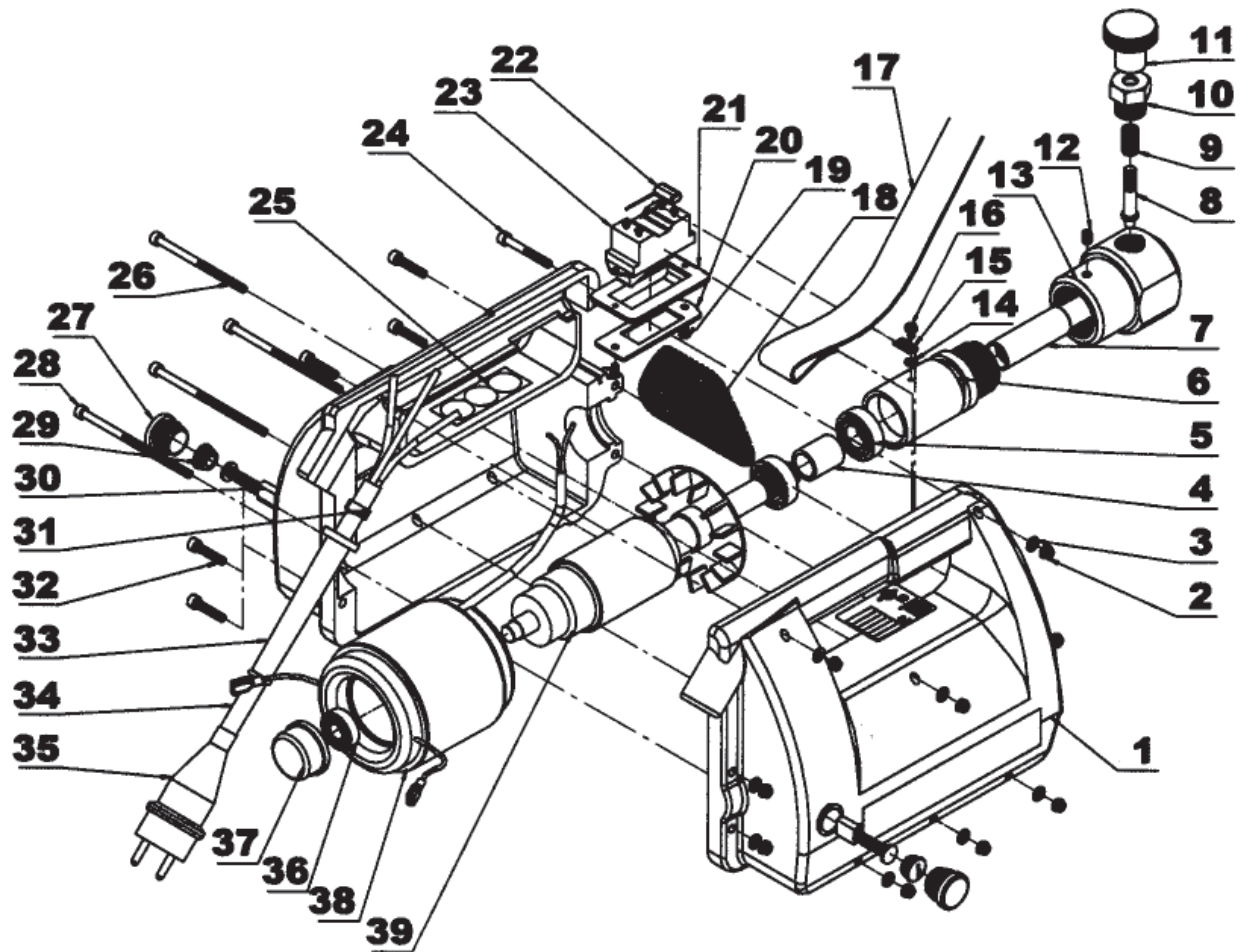
Tremix Immersion Vibrator **MAXIVIB**

---



## SPARE PART LIST

		MOTOR UNIT	
Date 0412		TREMIX Poker vibrator MAXIVIB	
Pos	NO	DENOMINATION	
1	E96130	HOUSING	
2	E102201	NUT	BLIND BLOC. M5 DIN 986
3	E102106	WASHER	PL. BISEL.5 DIN 125
4	E96106	SEPARATOR	
5	E101160	BEARING	6003 ZZ
6	E96105	MOTOR CAP CONNECTION	
7	E96131	RECEPTOR	
8	E96135	PLUNGER	
9	E96136	PLUNGER SPRING	
10	E96133	PLUNGER BOLT	
11	E96134	PULLING HANDLE	
12	E103124	BOLT	M6x10 DIN 914 12.9
13	E96132	COUPLING	
14	E102103	WASHER	4.3 DIN 6798
15	E107236	EARTH PLATE	
16	E102702	BOLT	M4x6 DIN 7985
17	E107058	SUPPORT BELT (BLACK)	
18	E96102	BAFFLE	
19	E102506	BOLT CURVED M4x8 DIN 63	
20	E96142	SWITCH PLATE	
21	E103859	HOUSING	
22	E103911	CONDENSER	0.1mF 275V
23	E103828	SWITCHMAMQUARDT	
24	E102310	ALLEN BOLT	M5x40 DIN 912 8.8
25	E107228	STICHER SECURITY PROTECTION	
26	E102311	ALLEN BOLT	M5x80 DIN 912 8.8
27	E107087	CLOSING PLUG	GPN 320 GL25
28	E102312	ALLEN BOLT	M5x100 DIN 912 8.8
29	E103775	BRUSH RETAINER	
30	E103773	BRUSHES	
31	E107034	CLAMP	SAPA 9-11
32	E102307	ALLEN BOLT	M5x25 DIN 912 8.8
33	E96109	CABLE PROTECTOR	
34	E96107	CONNECTION CABLE ASSY.	
35	E103731	PLUG	
35	E103840	PLUG 125V	15A NEMA 5-15
36	E101154	BEARING	6001 ZZ
37	E96143	MOTOR FLANGE	
38	E126051	STATOR 220V	
38	E126057	STATOR 115V	
39	E126052	ROTOR 220	
39	126058	ROTOR 115V	



# SPARE PART LIST

Date 0412	VIBRATOR HEAD	TREMIX Poker vibrator MAXIVIB
-----------	---------------	-------------------------------

Pos	NO	DENOMINATION
-----	----	--------------

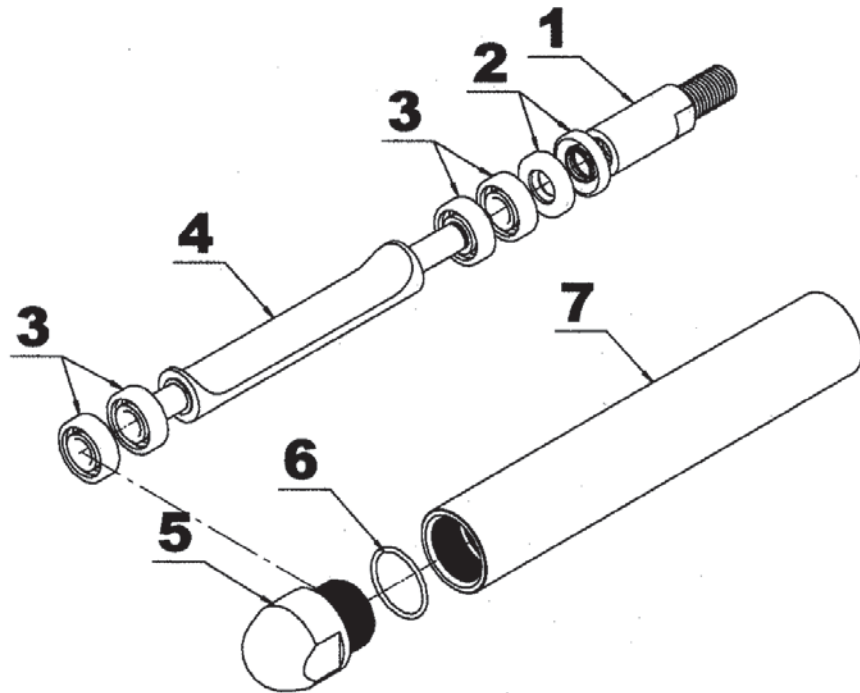
## Ø25 new version

1	E95309	CONNECTION
2	E101742	OIL & GREASE SEAL
3	E101121	BEARINGS (BALL)
4	E95308	ECCENTRIC
5	E95301	CAP
6	E101865	O-RING
7	E95307	HOUSING

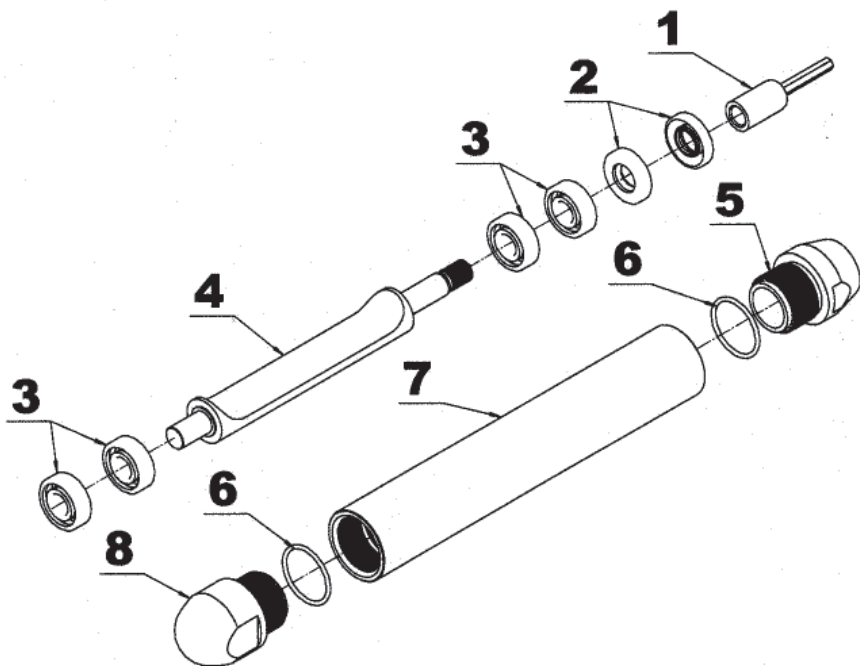
## Ø25 old version

1	E95301	CAP
2	E95302	TUBE
3	E95303	ECCENTRIC
4	E95305	SHAFT
5	E95304	END CAP
6	E101121	BALL BEARINGS
7	E101702	SEALING RING
8	E101865	O-RING

new version



old version



## SPARE PART LIST

	VIBRATOR HEAD <b>TREMIX Poker vibrator MAXIVIB</b>
Date 0412	

Pos	NO		DENOMINATION
-----	----	--	--------------

### Ø38

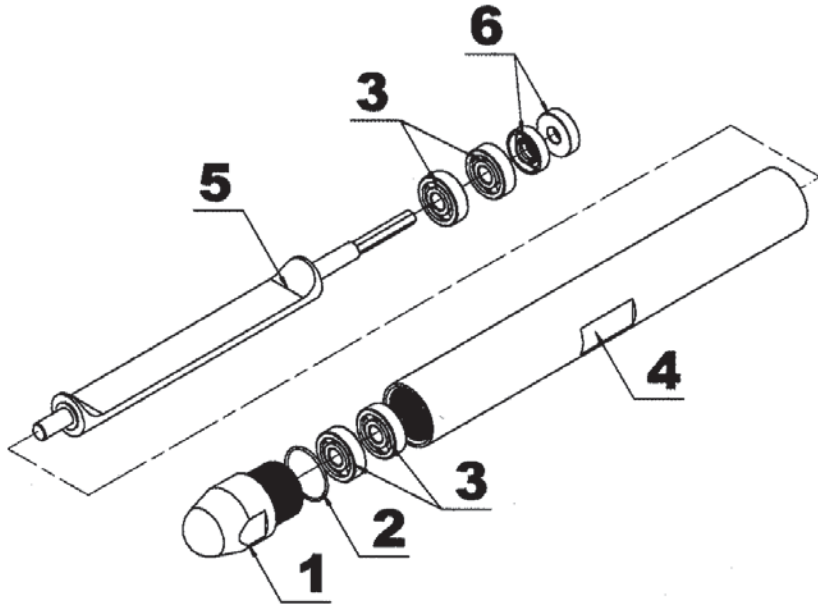
1	E95101		CAP
2	E101826		O-RING
3	E101166		BEARINGS (BALL)
4	E95102		HOUSING
5	E95103		ECCENTRIC
6	E101719		OIL & GREASE SEAL

### Ø48

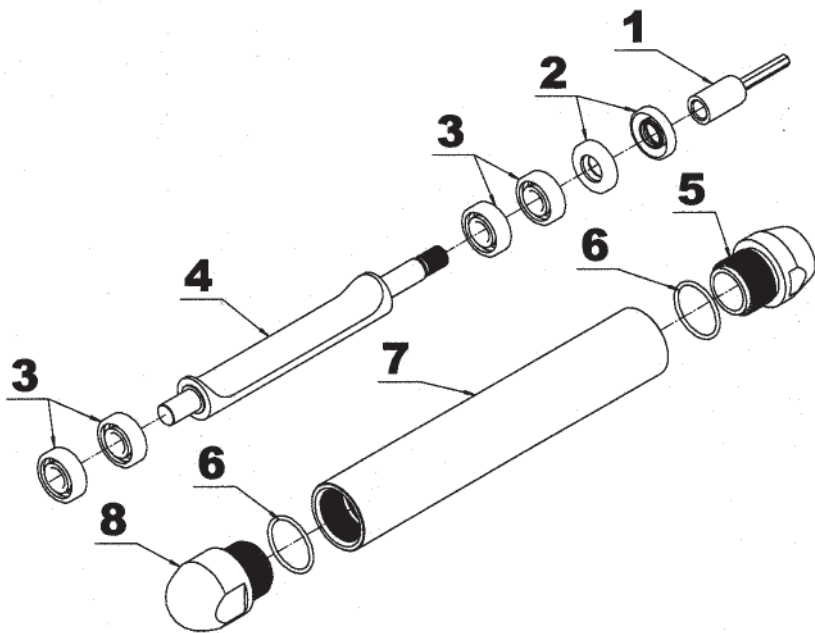
### Ø58

1	E95008	E95008	HEX. DRIVER
2	E101711	E101713	OIL & GREASE SEAL
3	E101173	E101193	BEARINGS (BALL)
4	E95003	E95203	ECCENTRIC
5	E95007	E95204	END CAP
6	E101862	E101824	O-RING
7	E95002	E95202	HOUSING
8	E95001	E95201	CAP

38



48 & 58



## SPARE PART LIST

	<b>FLEXIBLE SHAFT</b>	<b>TREMIX Poker vibrator MAXIVIB</b>
Date 0412		

Pos	NO		DENOMINATION
-----	----	--	--------------

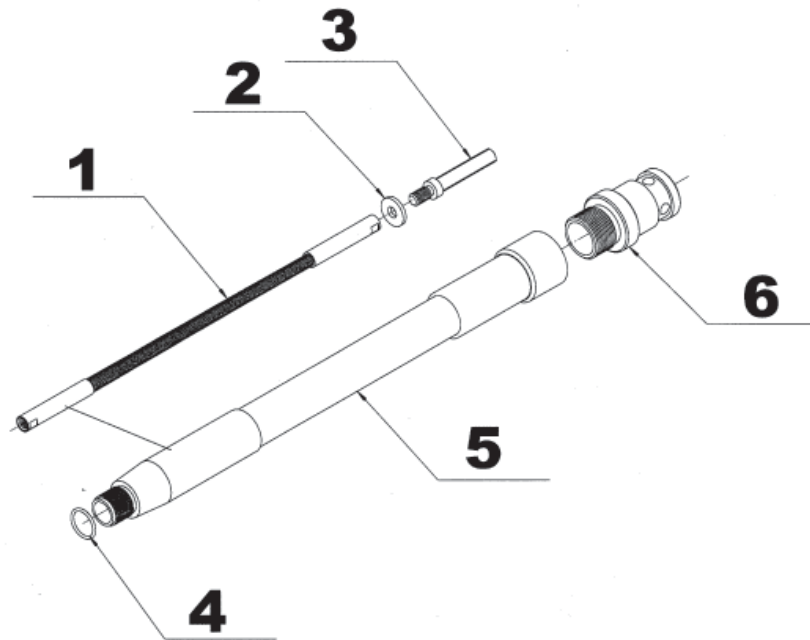
### FLEXIBLE SHAFT FOR Ø25

	1m	2m	3m	4m	
1	E97541-1	E97341-1	E97241-1	E97141-1	SHAFT ASSEMBLY
2	E96532	E96532	E96532	E96532	WASHER
3	E96531	E96531	E96531	E96531	SHAFT CONNECTION
4	E101865	E101865	E101865	E101865	O-RING
5	E97542-1	E97342-1	E97242-1	E97142-1	HOSE ASSEMBLY
6	E96534	E96534	E96534	E96534	CONNECTION MOTOR

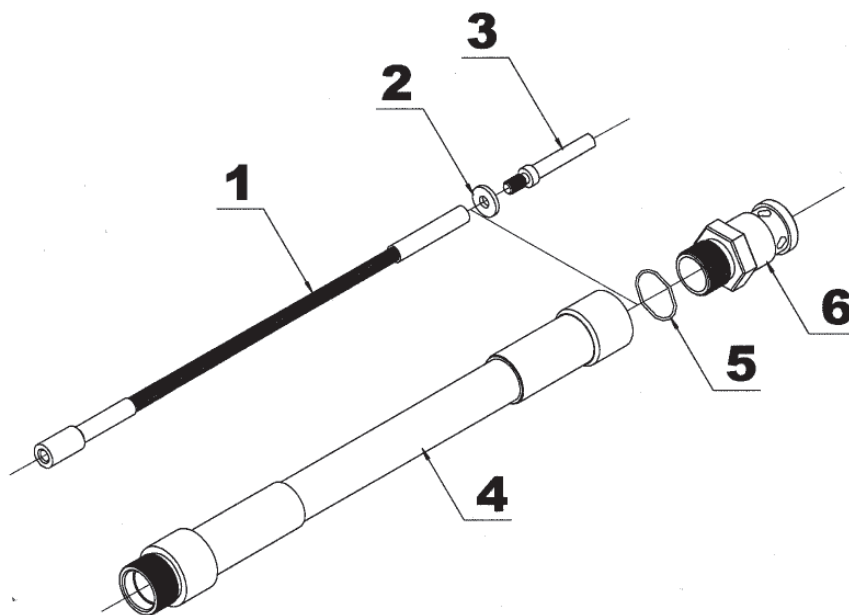
### FLEXIBLE SHAFT FOR Ø38, Ø48 & Ø58

	1m	2m	3m	4m	
1	E96941	E96741	E96641	E96541	SHAFT ASSEMBLY
2	E96532	E96532	E96532	E96532	WASHER
3	E96531	E96531	E96531	E96531	SHAFT CONNECTION
4	E96842	E96742	E96642	E96542	HOSE ASSEMBLY
5	E101826	E101826	E101826	E101826	O-RING
6	E96534	E96534	E96534	E96534	CONNECTION MOTOR

Flexible shaft for Ø25



Flexible shaft for Ø38, Ø48, Ø58



### SPARE PARTS ORDERING

To prevent wrong deliveries, your orders should specify type of product, serial number as well as item No., quantity, denomination and part No.

