
Tremix Ride-on Trowel Rider 2000



TREMIX®

SPARE PART LIST

TREMIX Rider 2000

Date 0504

Contents

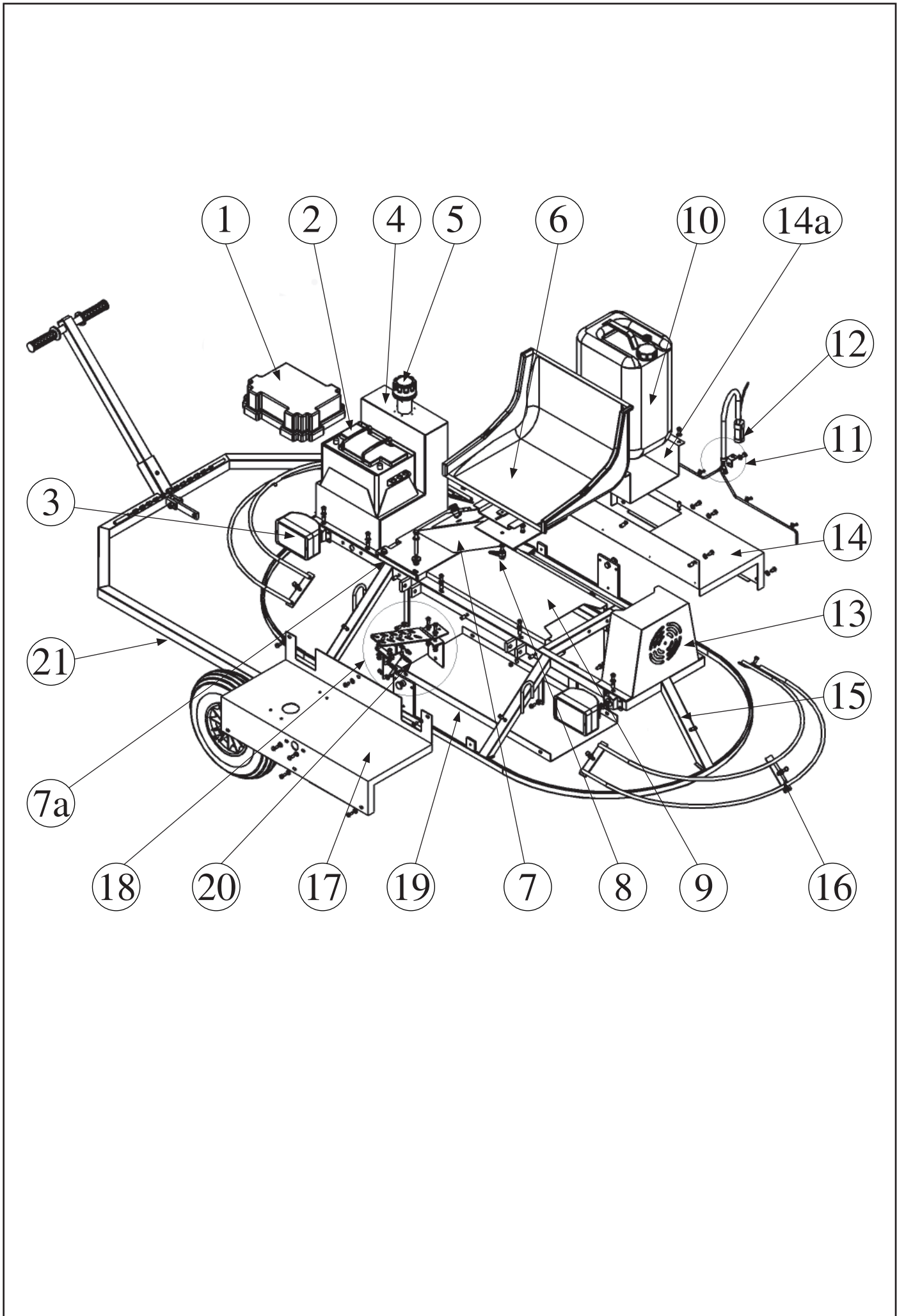
Page 4-5	Frame and upper parts
Page 6-7	Engine and transmission parts
Page 8-9	Gear, blade adjustment, spider and tools
Page 10-11	Handle and steering parts
Page 12-13	Transport carriage

SPARE PART LIST

TREMIX Rider 2000

Date 0504

Pos	NO	DENOMINATION	Qty
1	SI0361003	Battery cover	1
2	SI0361004	Battery 75Ah	1
3	SI0399053	Lights	2
4	SI209180001	Fuel tank	1
5	SI0222005	Tank cover	1
6	SI209199503	Seat	1
7	SI209185000	Seat holder	1
7a	SI209121040	Bracket	1
8	SI209199505	Locking screw	1
9	SI209121033	Protection sheet	1
10	SI0227003	Water tank	1
11	SI209199506	Holder, water system	1
12	SI0326016	Water pump	1
13	SI209190000	V-belt protection	1
14	SI209199504	Rear protection sheet	1
14a	SI209121035	Holder water tank	1
15	SI209163000	Frame	1
16	SI209160000	Frame protection	2
17	SI209161017	Front protection sheet	1
18	SI209199507	Throttle pedal cpl.	1
19	SI209121031	Cardan shaft protection	1
20	SI0718017	Throttle cable	1
21	SI209199040	Carriage wagon	1

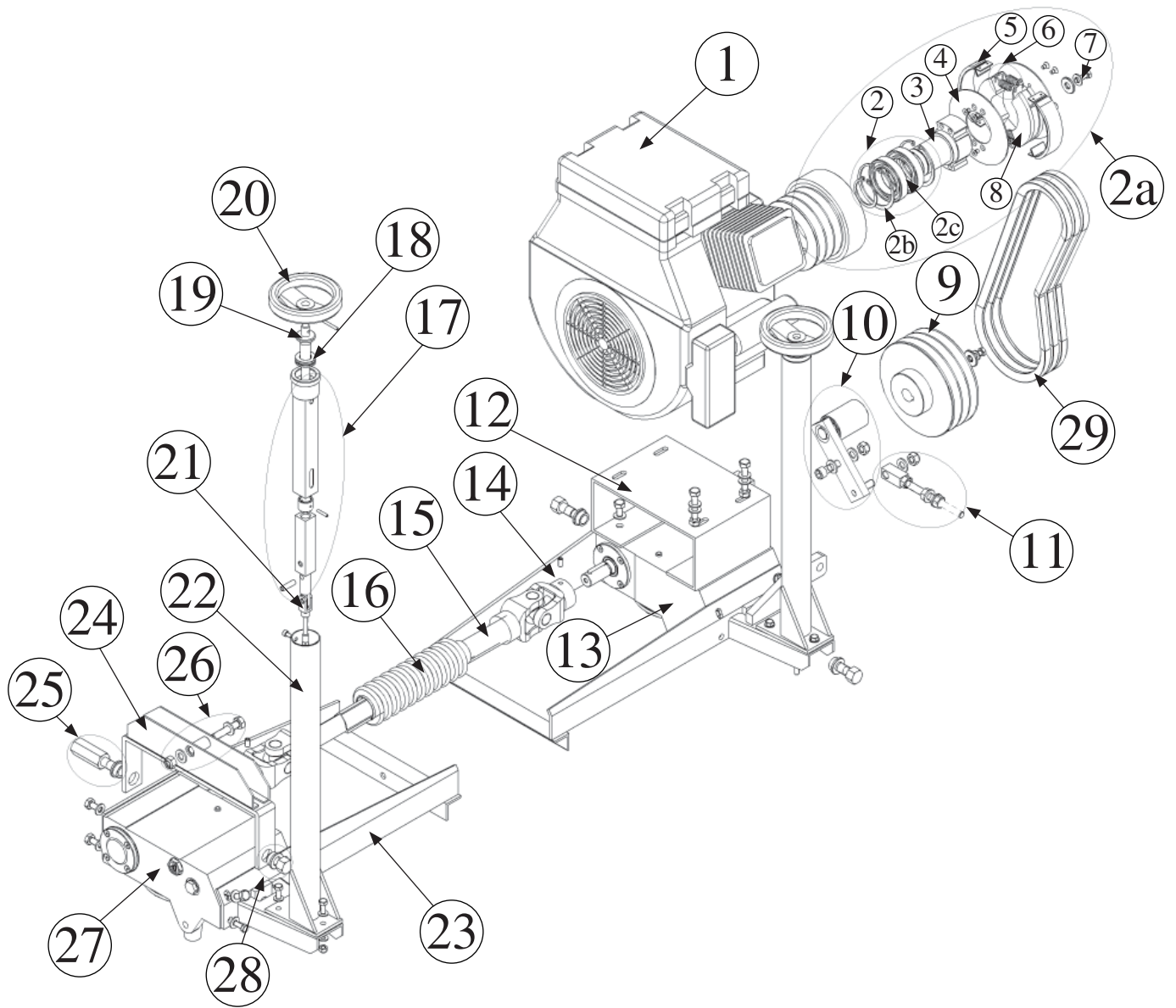


SPARE PART LIST

TREMIX Rider 2000

Date 0504

Pos	NO	DENOMINATION	Qty
1.	SI0737011	Engine GX620	1
2A.	SI209199510	Centrifugal clutch cpl.	1
2.	SI209199508	Bearing kit	1
2B.	SI0733134	Locking ring	2
2C.	SI0730004	Bearing 6010 2RSR	2
3.	SI209105005	Clutch hub	1
4.	SI209105002	Plate	1
5.	SI209105007	Clutch lining	1
6	SI209199501	Spring	2
7.	SI209199509	Screw kit	1
8	SI209105004	Weight	2
9	SI209110000	Pulley	1
10	SI209145000	Belt tensioner cpl.	1
11	SI209199513	Belt tensioner arm cpl.	1
12	SI209170000	Motor support	1
13	SI0332031	Gear right	1
14	SI209135000	Pin	1
15	SI209199512	Cardan shaft	1
16	SI0214001	Bellow	1
17	SI201099507	Blade adjustments cpl.	2
18	SI0733400	Washer	2
19	SI201005003	Washer	2
20	SI0220008	Hand wheel	2
21	SI0718016	Blade adjustment cable	2
22	SI209122000	Tube holder	2
23	SI209130000	Tool packing piece	2
24	SI209125000	Stand	2
25	SI209120019	Screw kit	2
26	SI209199514	Screw kit	2
27	SI0332032	Gear left	1
28	SI209120017	Screw kit	2
29	SI209199502	V-belt	3

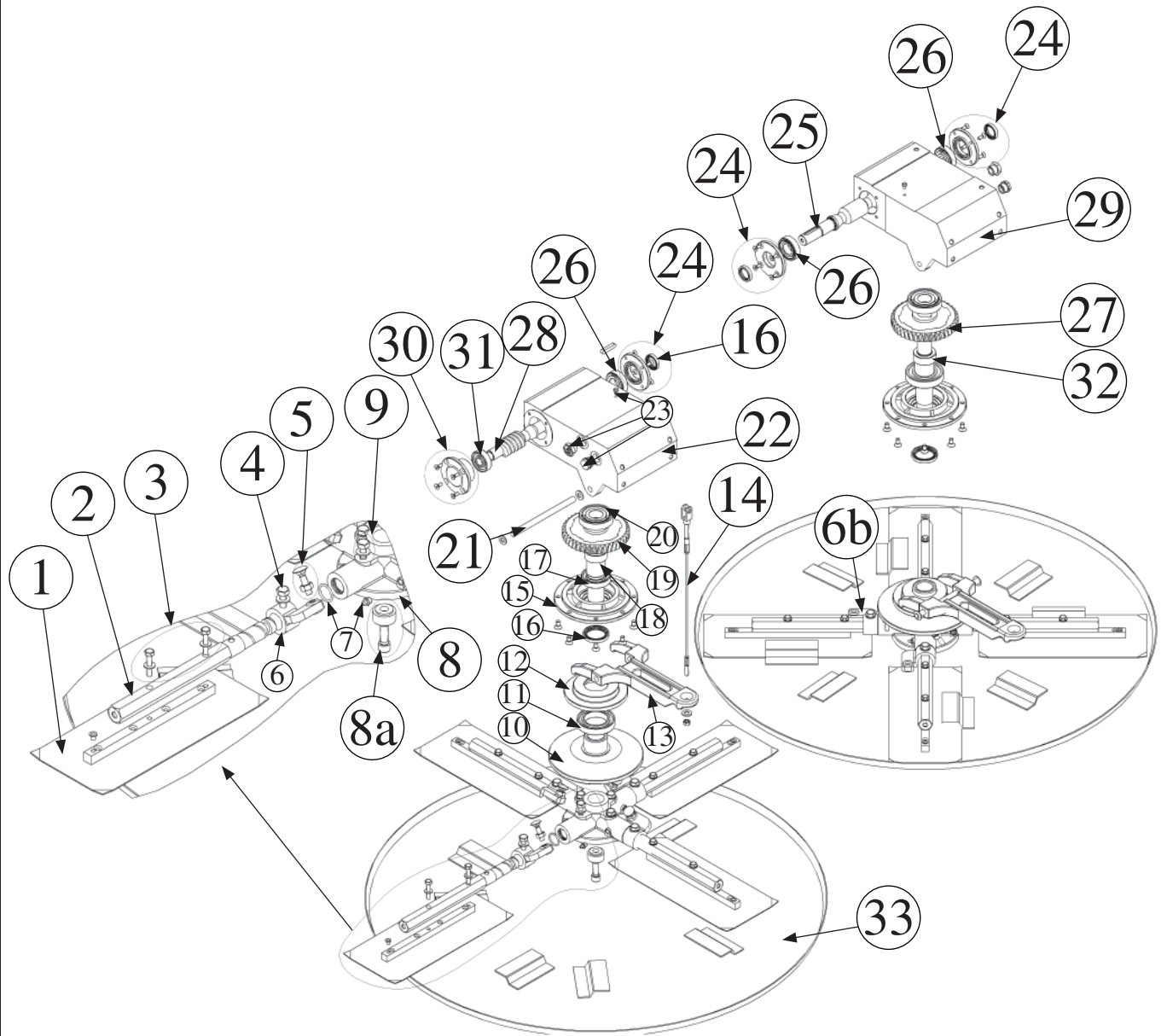


SPARE PART LIST

TREMIX Rider 2000

Date 0504

Pos	NO	DENOMINATION	Qty
1	022317	Trowelling blade	8
2	SI209240003	Blade shaft	8
3	001961	Pin	8
4	SI201099516	Screw	8
5	SI201099513	Carriage bolt	8
6	SI029120016	Blade arm, left	4
6B	SI209120015	Blade arm, right	4
7	SI200099507	Lubrication and sealing kit	8
8	SI203008014	Spider cross	2
9	SI201099514	Screw	8
10	SI202008003	Pressure plate	2
11	SI0733134	Bearing	2
12	SI201008004	Support washer	2
13	SI201008005	Fork	2
14	SI0718016	Blade adjusting wire	2
15	SI202045002	Flange	2
16	SI201099512	Sealing	2
17	SI0733143	Bearing	2
18	SI209147005	Gear shaft	1
19	SI202045006	Gear wheel	1
20	SI0733150	Bearing	2
21	SI201008006	Pin	2
22	SI0332032	Gear housing	1
23	SI201099505	Oil level screws	2
24	SI202045001	Gear flange	1
25	SI0718511	Worm screw	1
26	SI0733129	Bearing	3
27	SI209147006	Gear wheel	1
28	SI0718510	Worm screw	1
29	SI0332031	Gear housing	1
30	SI209147001	Gear flange	1
31	SI0733108	Bearing	1
32	SI202045005	Gear shaft	1
33	032309	Disc (Ø 945)	2

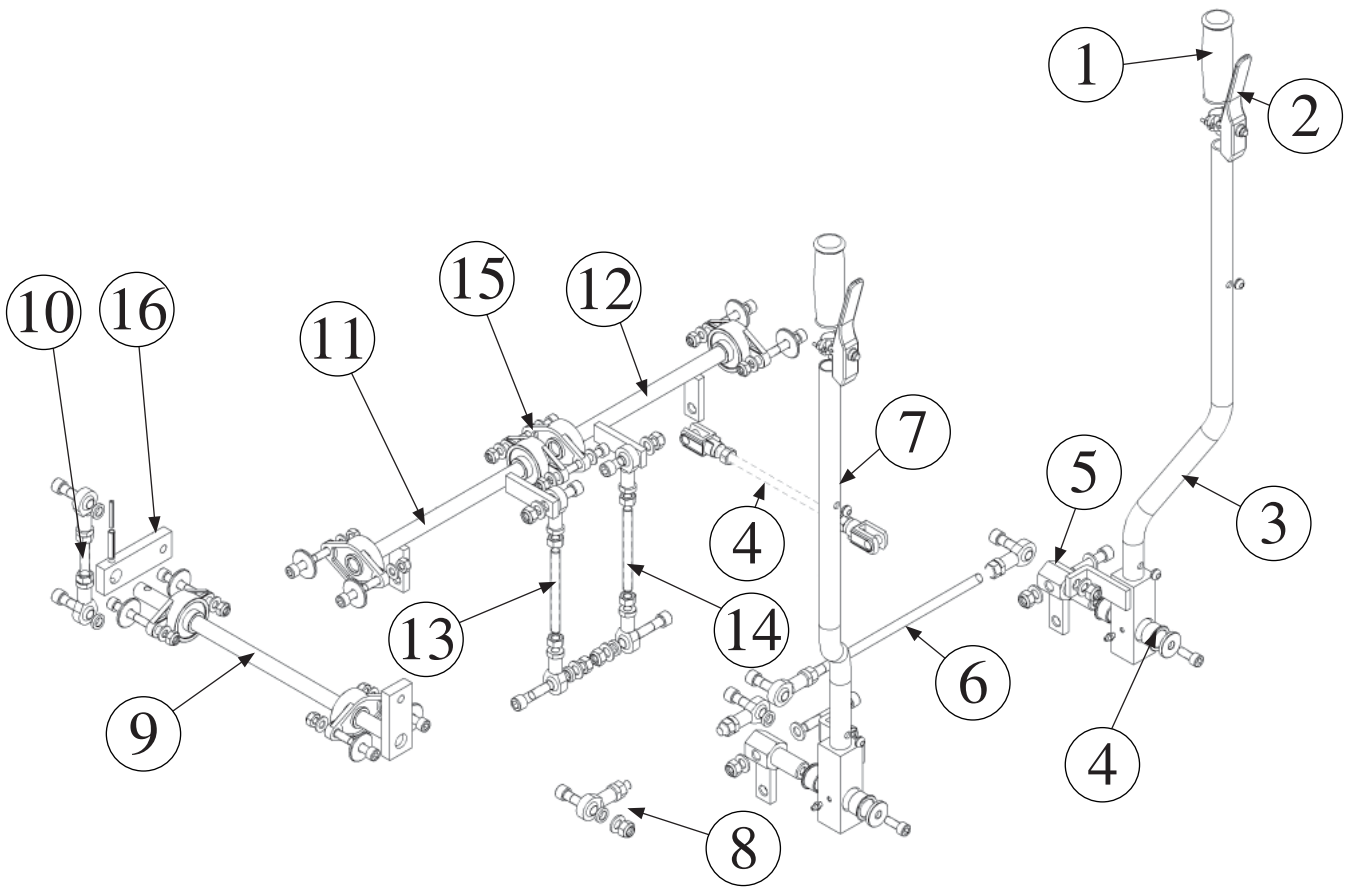


SPARE PART LIST

TREMIX Rider 2000

Date 0504

Pos	NO	DENOMINATION	Qty
1	SI0221003	Handle	2
2	SI0399002	Dead man switch	2
3	SI209156000	Steering arm right	1
4	SI209199515	Joint	2
5	SI209150000	Arm	2
6	SI209120024	Link bar	1
7	SI209155000	Steering arm left	1
8	SI209120025	Steering joint	8
9	SI209140001	Link bar	1
10	SI209120029	Arm	1
11	SI209175000	Rotating driving shaft straight	1
12	SI209165000	Rotating driving shaft	1
13	SI209120030	Link bar	1
14	SI209120030	Link bar	1
15	SI0733317	Bear housing with bearing	1
16	SI209121038	Plate	1



RESERVDLSBESTÄLLNING

För att undvika felleveranser vid reservdelsbeställning är det angeläget att produkttyp och tillverkningsnummer såväl som pos., antal, benämning och detaljnummer anges.

SPARE PARTS ORDERING

To prevent wrong deliveries, your orders should specify type of product, serial number as well as item No., quantity, denomination and part No.

ERSATZTEILBESTELLUNG

Um fehlerhafte Lieferungen bei Ersatzteilbestellung zu vermeiden, ist es wichtig, daß Typ und Herstellungsnummer sowie Position, Anzahl, Benennung und Teil-Nr. angegeben werden.

